

4

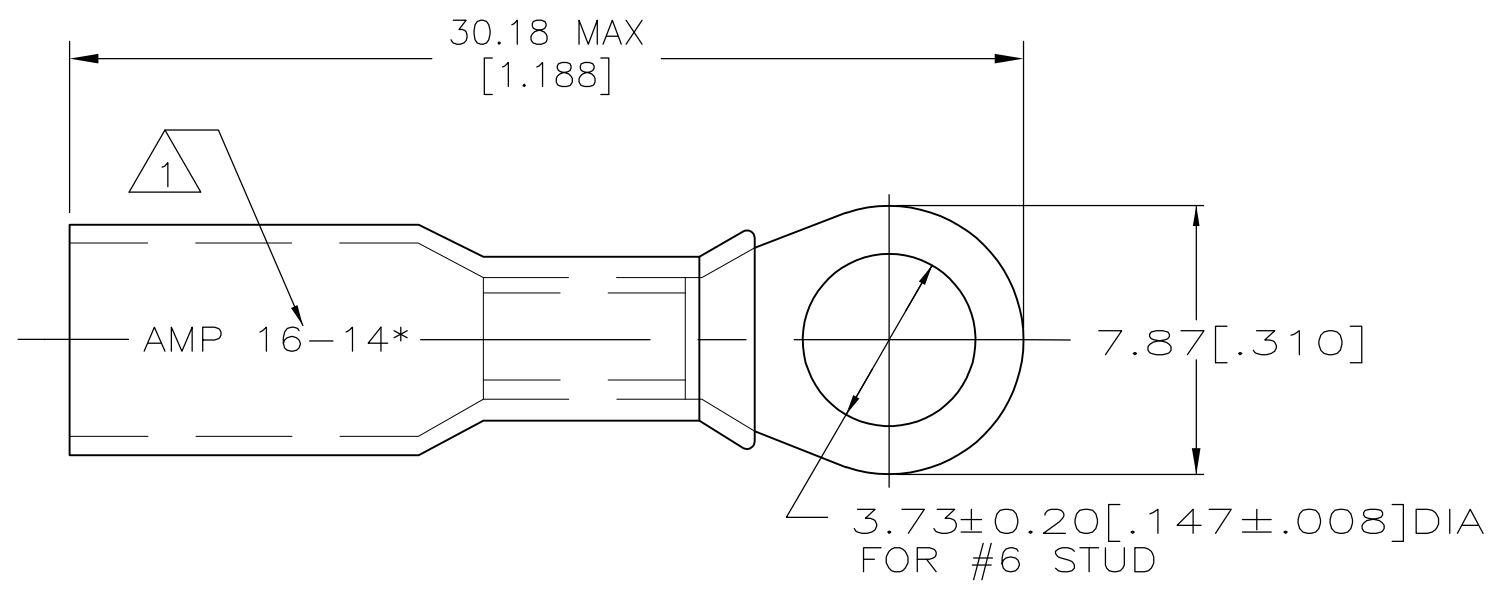
3

2

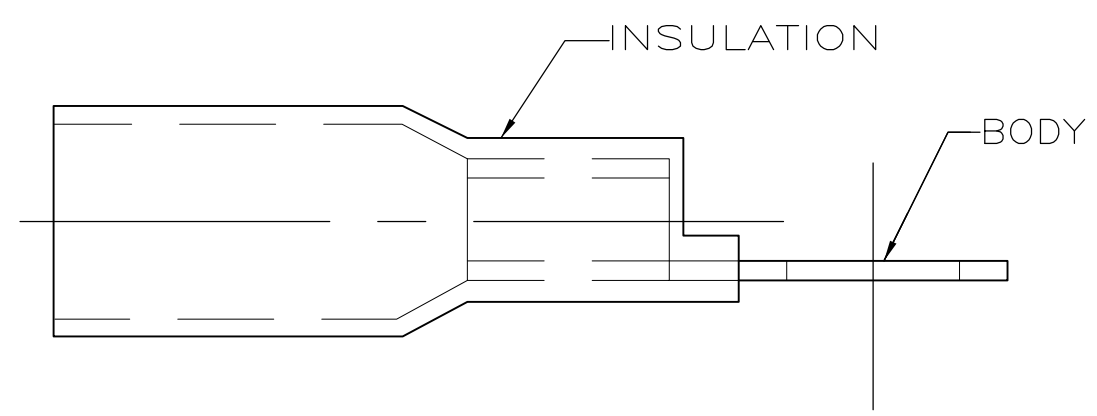
1

THIS DRAWING IS UNPUBLISHED. RELEASED FOR PUBLICATION
 © COPYRIGHT BY TYCO ELECTRONICS CORPORATION. ALL INTERNATIONAL RIGHTS RESERVED.

LOC	DIST	REVISIONS					
		P	LTR	DESCRIPTION	DATE	DWN	APVD
G	14		D	REVISED PER ECR-09-027352	17FEB10	JR	TM



- 1 STAMP AMP 16-14* APPROX AS SHOWN
- 2 WIRE INSULATION DIA 4.83 [.190] MAX
- 3 TONGUE MATERIAL THK 0.81±0.05 [.032±.002]



AMP WIRE RANGE
16-14 AWG STRANDED

50	LOOSE PIECE	8-55850-2
1000	LOOSE PIECE	55850-1
QTY	PACKAGE TYPE	PART NO

AMP INCORPORATED CUSTOMER SERVICE SYSTEMS	
FOR ADDITIONAL PRODUCT INFORMATION OR COPIES OF DRAWINGS AND TECHNICAL DOCUMENTS	PRODUCT INFORMATION CENTER 1-800-522-6752
FOR APPLICATION TOOLING INFORMATION	TOOLING ASSISTANCE CENTER 1-800-722-1111
FOR ORDER ENTRY	1-800-526-5142

MAX RECOMMENDED OPERATING TEMPERATURE: 125° C MAX
VOLTAGE RATING: 600V MAX (BUILDING WIRING) 1000V MAX (FIXTURES & SIGNS)
CIRCULAR MIL AREA: 1.04-2.62mm ² [2050-5180] STRANDED

THIS DRAWING IS A CONTROLLED DOCUMENT.	
DIMENSIONS: mm [INCHES]	TOLERANCES UNLESS OTHERWISE SPECIFIED:
	0 PLC ± - 1 PLC ± - 2 PLC ± 0.20[.008] 3 PLC ± - 4 PLC ± - ANGLES ± -
MATERIAL BODY: ETP COPPER INSULATION: POLYOLEFIN COLOR: BLUE	FINISH EDP TIN PLATED

DWN S S GOULDEN 6/93	Tyco Electronics Corporation Harrisburg, PA 17105-3608
CHK R HERSEY 6/93	
APVD B BARE 6/93	
PRODUCT SPEC -	
APPLICATION SPEC 408-4022	NAME TERMINAL, RING TONGUE, SEALABLE HEAT SHRINKABLE
WEIGHT -	SIZE A3
CUSTOMER DRAWING	CAGE CODE 00779
	DRAWING NO G-55850
	RESTRICTED TO -
	SCALE NTS
	SHEET 1 OF 1
	REV D